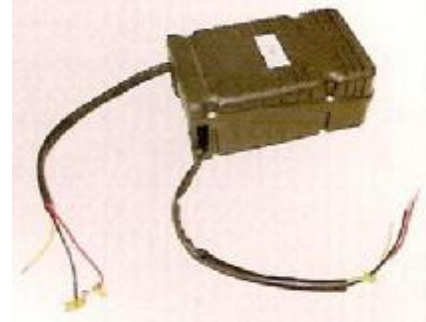


## SKC – Generic Start Kit Case

For CSR, Compressors includes Potential relay, Run and Start capacitors.  
external thermal protector (overload not included).

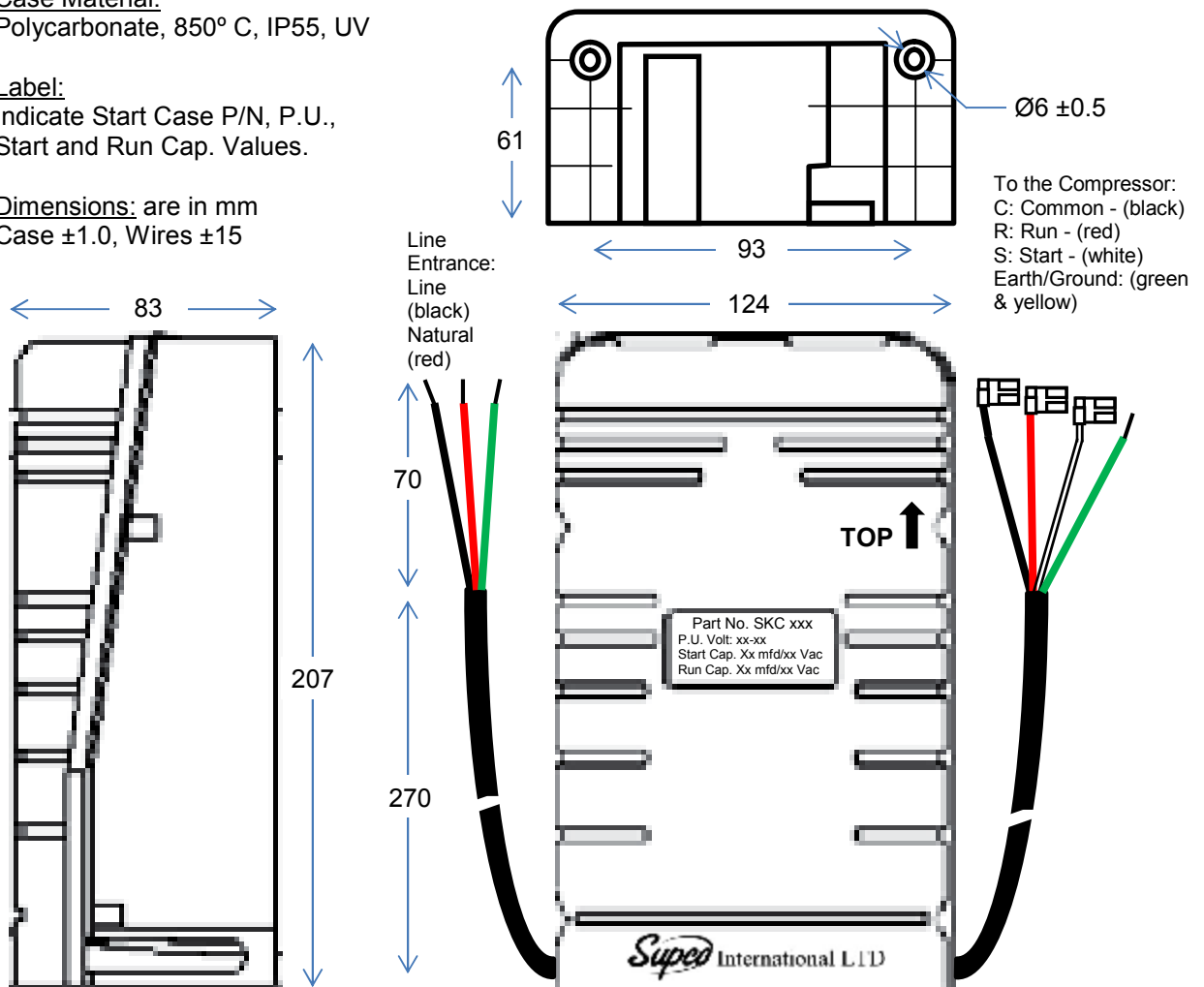
E-box Type	Comp. H.P	Power Source
SKC075	3/4	220-240V 50hz
SKC100	1	220-240V 50hz
SKC150	1 1/2	220-240V 50hz
SKC200	2	220-240V 50hz
SKC250	2 1/2	220-240V 50hz



**Case Material:**  
Polycarbonate, 850° C, IP55, UV

**Label:**  
Indicate Start Case P/N, P.U.,  
Start and Run Cap. Values.

**Dimensions:** are in mm  
Case ±1.0, Wires ±15



**Notes:**

1. Mounting direction, according to marking on front "TOP"

Rev. 2.0 05/03/2013

**Europe**

**SUPCO International Ltd.**

P.O. BOX 8047, HAUMANUT ST. 3 NETANYA, 42180, ISRAEL.  
Tel. 972-9-865 4101 \* FAX: 972-9-865 9111 [info@supco.co.il](mailto:info@supco.co.il)

**USA**

**SEALED UNIT PARTS CO., Inc.**

P.O. BOX 21, 2230 LANDMARK PLACE, ALLENWOOD, NJ 08720 USA.  
Tel. (732) 223-6644 \* FAX: (732) 223-1617 <http://www.supco.com>